

National Aeronautics and Space Administration

Goddard Space Flight Center
8800 Greenbelt Road
Greenbelt, MD 20771



Reply to attn. of: Office of Communications

May 22, 2018

Arthur D. Krull
1068 Dartmouth Dr
Wheaton, IL 60189
nartco@sbcglobal.net

FOIA 18-GSFC-F-00559

Dear Mr. Krull:

Thank you for your Freedom of Information Act (FOIA) request dated May 10, 2018. Your request was assigned FOIA Case Number 18-GSFC-F-00559 and was for:

To obtain scale exterior drawings of the Parker Solar probe from which a small model could be made.

The NASA Goddard Space Flight Center program office conducted a search for Agency records, using the above criteria. We have located 1 document consisting of 6 pages responsive to your request. The documents will be released to you in its entirety.

Fees for processing this request are less than \$50.00 and are not being charged in accordance with 14 CFR 1206.503(c). If this office can be of further assistance, please feel free to contact me at 301-286-4721 or gsfc-foia@mail.nasa.gov.

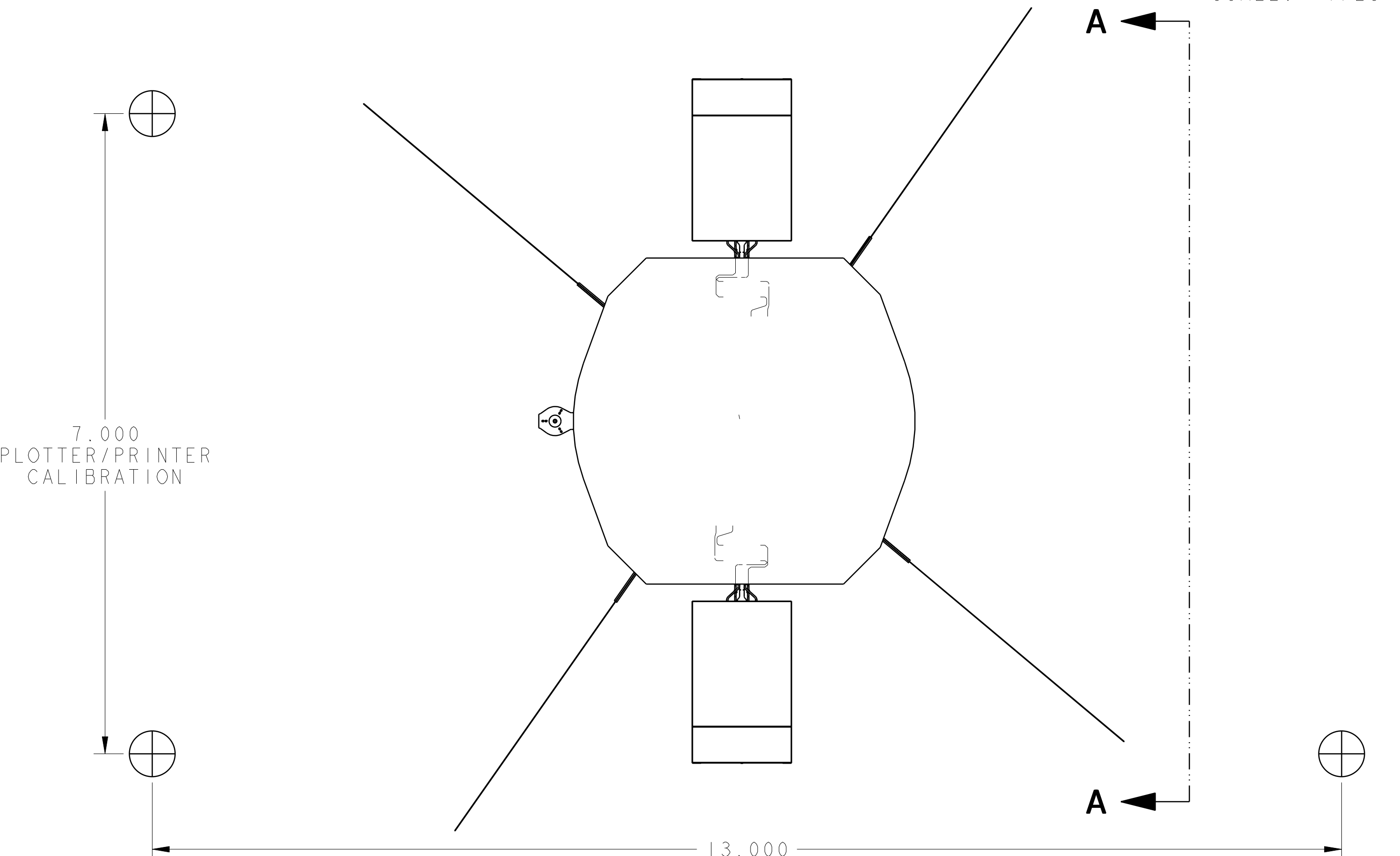
Sincerely,

A handwritten signature in cursive script that reads "Joan Belt".

Joan Belt
FOIA Public Liaison Officer

PARKER SOLAR PROBE

SCALE: 1/25



7.000
PLOTTER/PRINTER
CALIBRATION

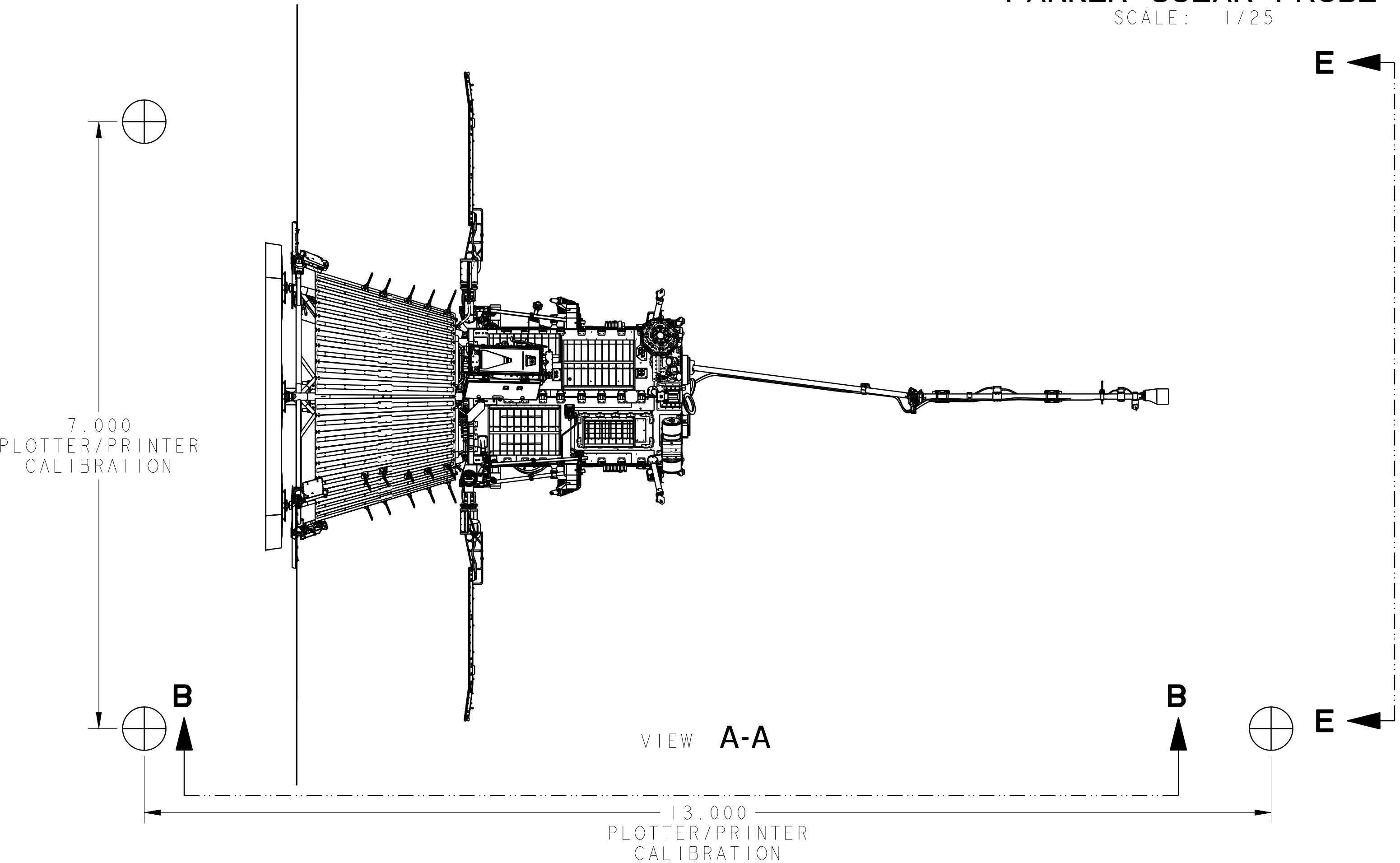
13.000
PLOTTER/PRINTER
CALIBRATION

A

A

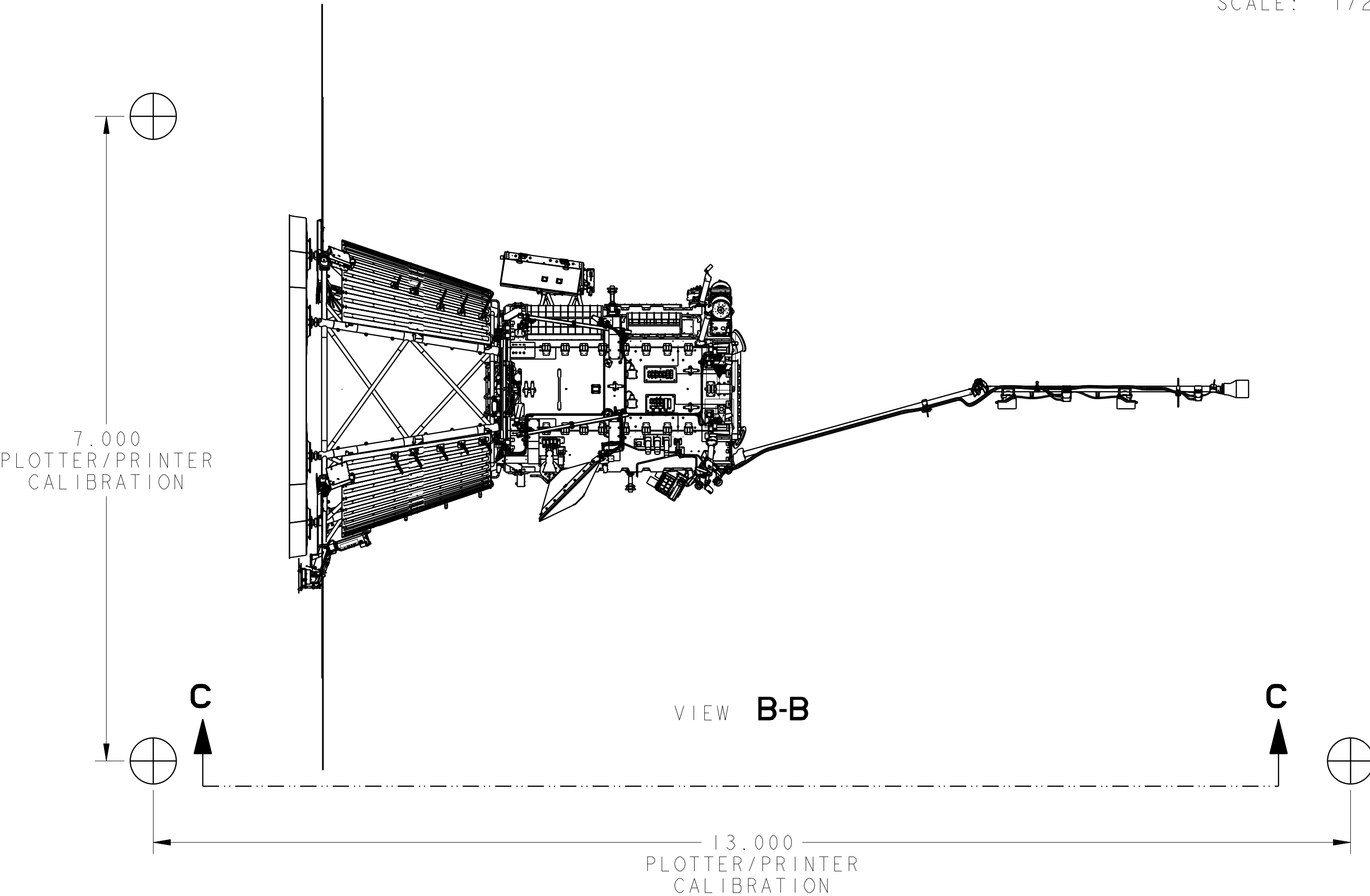
PARKER SOLAR PROBE

SCALE: 1/25



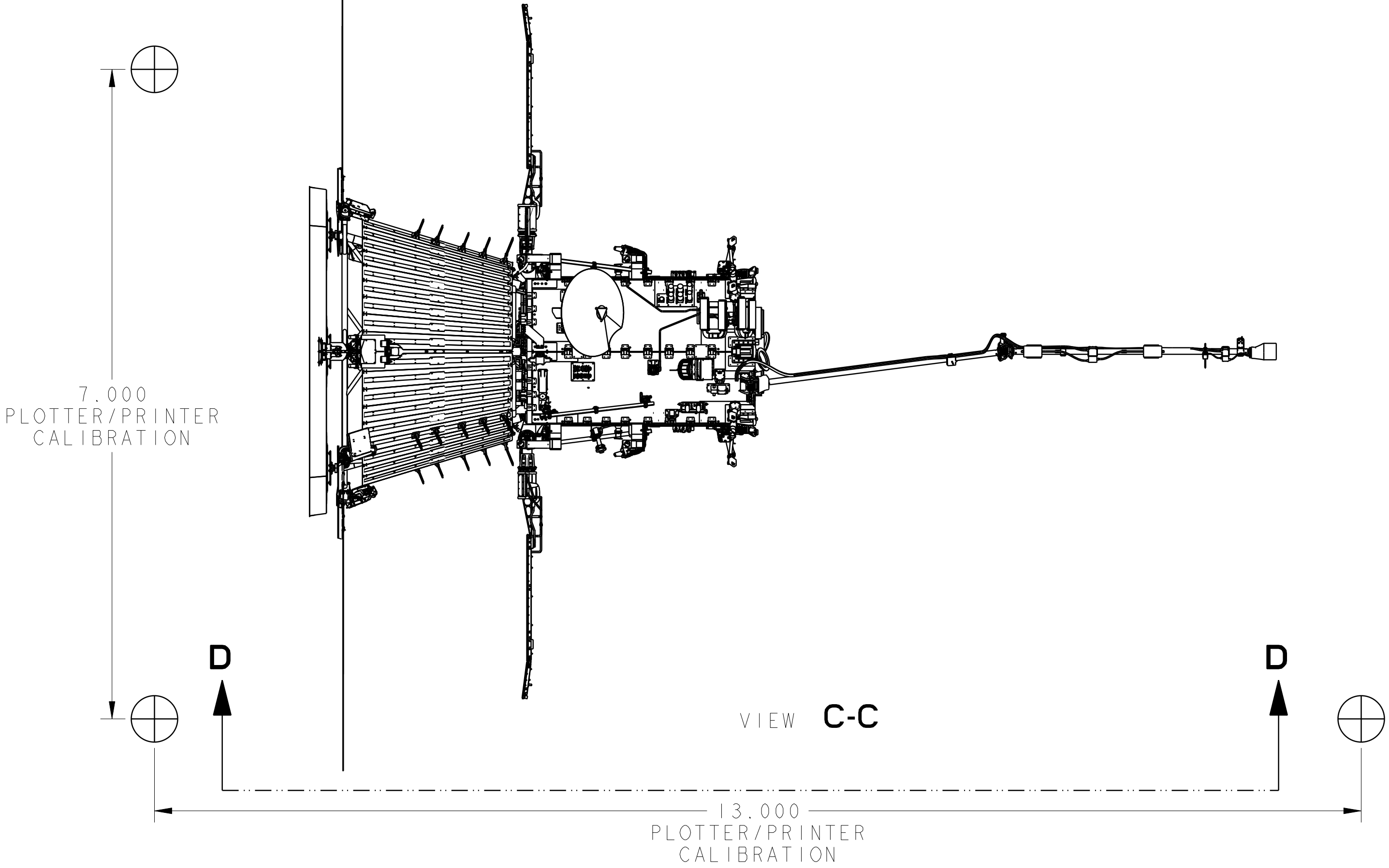
PARKER SOLAR PROBE

SCALE: 1/25



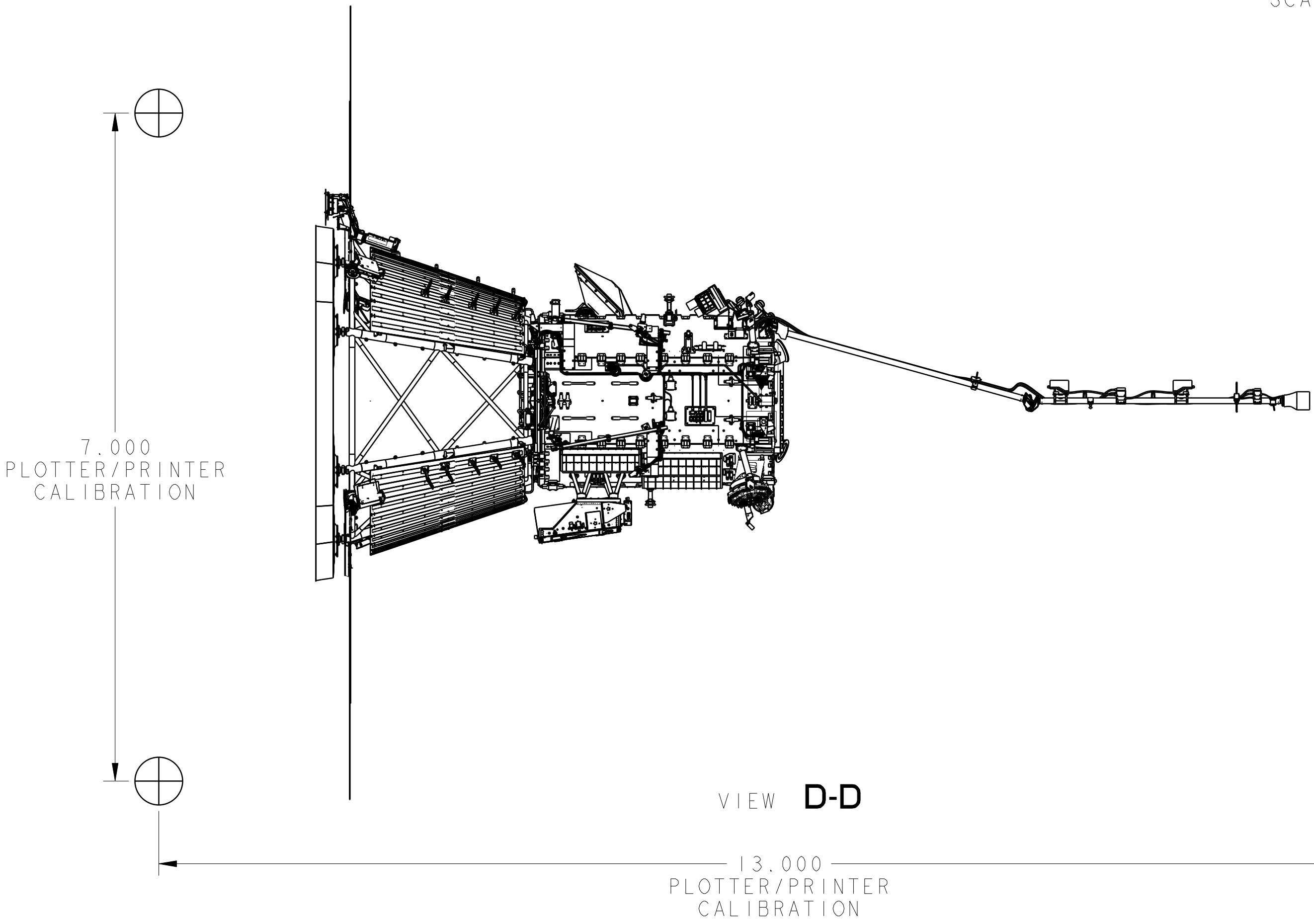
PARKER SOLAR PROBE

SCALE: 1/25



PARKER SOLAR PROBE

SCALE: 1/25



PARKER SOLAR PROBE

SCALE: 1/25

